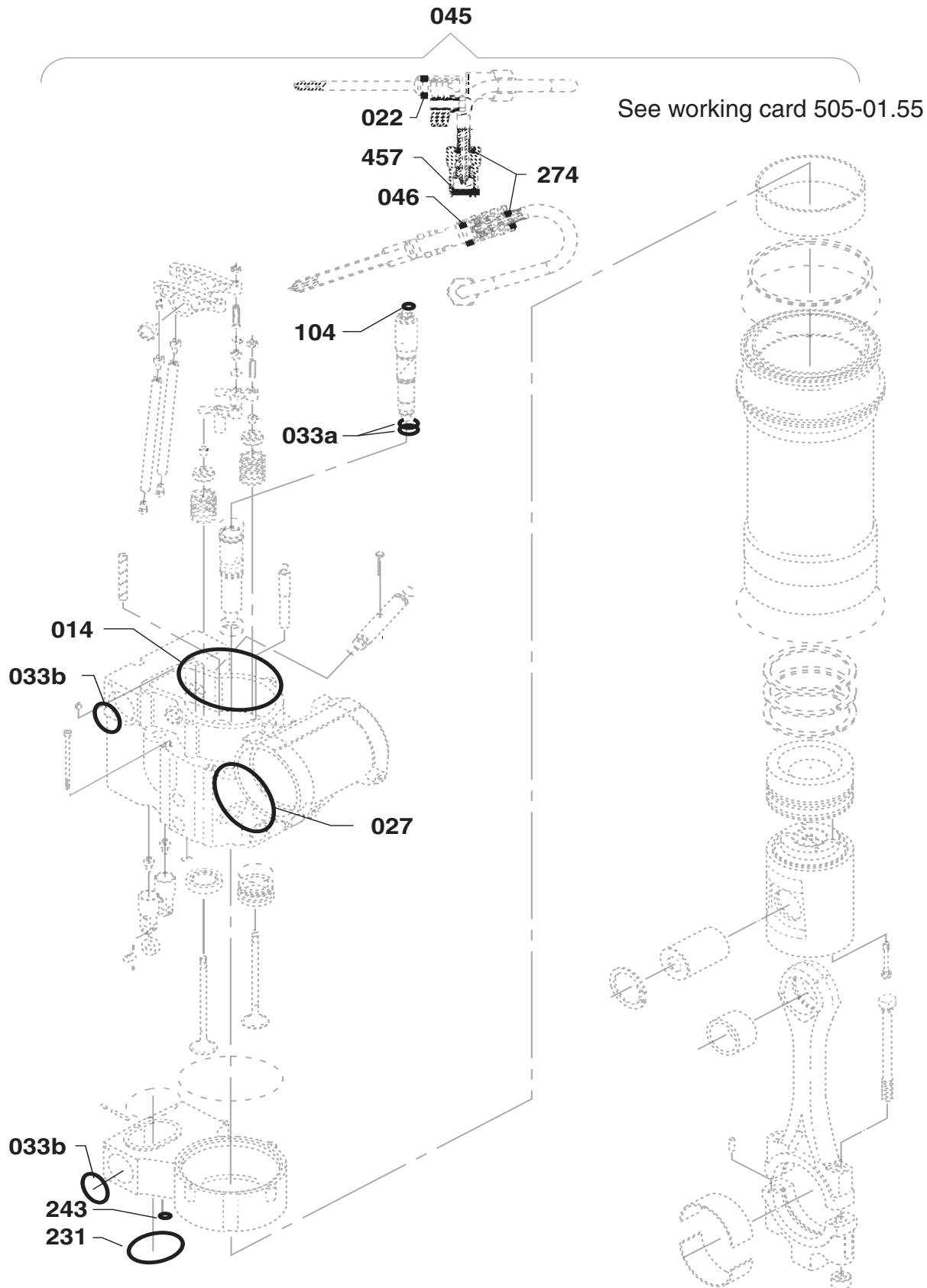


**L16/24**



08028-0D/H5250/94.08.12

51703-02

## Kit for Complete Cylinder Unit Exchange (Woodward)

Kit  
Page 2 (2)

## L16/24

Item No	Qty	Designation	Where to find in the engine instruction book	
045	1/C	Kit for cylinder unit, complete consisting of:	Plate 50500	Item 045
	1/C	O-ring	Plate 50501	Item 231
	1/C	O-ring	Plate 50501	Item 243
	1/C	O-ring	Plate 50510	Item 014
	2/C	O-ring	Plate 51230	Item 027
	1/C	O-ring	Plate 51401	Item 457
	2/C	O-ring	Plate 51402	Item 033a
	1/C	O-ring	Plate 51402	Item 104
	1/C	O-ring	Plate 51404	Item 022
	1/C	O-ring	Plate 51404	Item 046
	2/C	O-ring	Plate 51404	Item 274
	4/C	Seal ring	Plate 51630	Item 033b
<p><i>Please Note</i> that this is a kit supply, and that any exceeding number of o-rings and gaskets are not accepted as return goods.</p>				

Qty/C = Qty/Cylinder