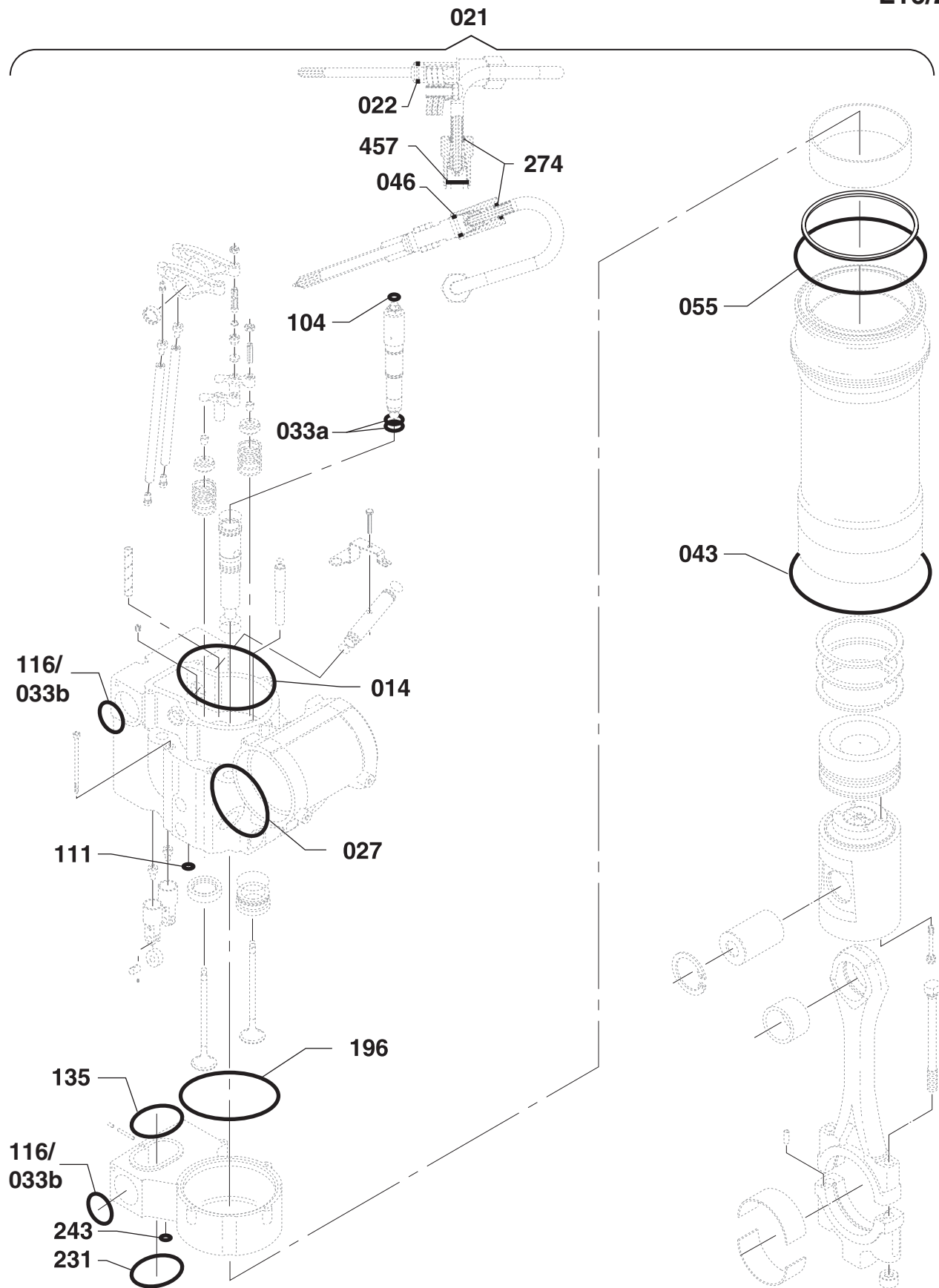


<p>Plate Page 1 (2)</p>	<p>Kit for Cylinder Unit</p>	<p>51704-18</p>
-----------------------------	------------------------------	-----------------

L16/24



51704-18	Kit for Cylinder Unit	Plate Page 2 (2)
----------	-----------------------	---------------------

L16/24

Item No	Qty	Designation	Where to find in the engine instruction book	
021		Kit per cylinder unit		
	2	O-ring	Plate 50501	Item 111
	1	O-ring	Plate 50501	Item 135
	1	O-ring	Plate 50501	Item 196
	1	O-ring	Plate 50501	Item 231
	2	O-ring	Plate 50501	Item 243
	1	O-ring	Plate 50510	Item 014
	1	O-ring	Plate 50610	Item 043
	1	O-ring	Plate 50610	Item 055
	3	O-ring	Plate 51230	Item 027
	1	O-ring	Plate 51401	Item 457
	2	O-ring	Plate 51402	Item 033a
	1	O-ring	Plate 51402	Item 104
	1	O-ring	Plate 51404	Item 022
	1	O-ring	Plate 51404	Item 046
	2	O-ring	Plate 51404	Item 274
	2	Seal ring	Plate 51630	Item 033b
	4	Seal ring	Plate 51630	Item 116

Please Note that this is a kit supply, and that any exceeding number of o-rings and gaskets are not accepted as return goods.