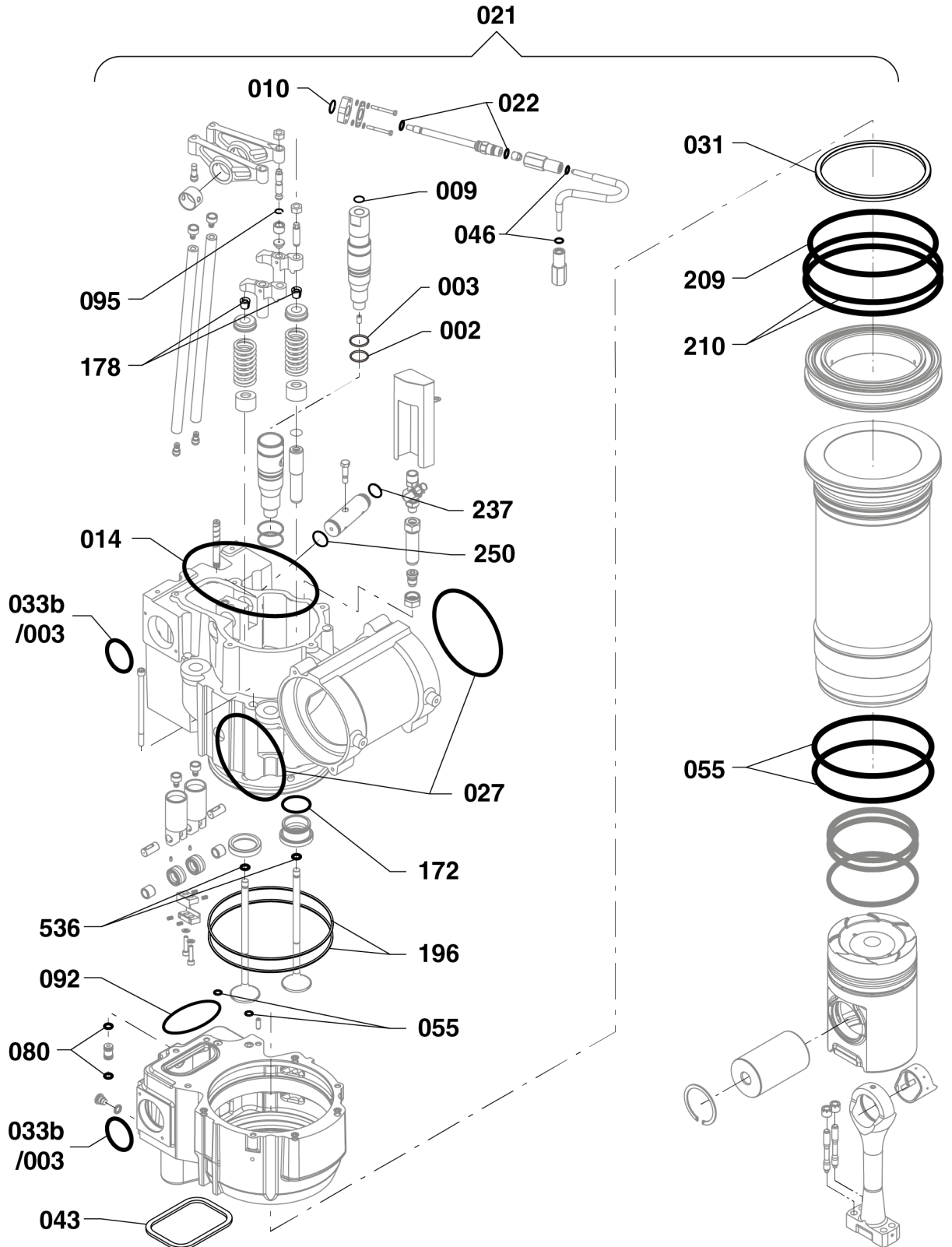


L21/31, L21/31S



| | | |
|------------------|------------------------------|------------------------------------|
| P51704-22 | Kit for cylinder unit | Spare Part Kit Plate Page 2 (2) |
|------------------|------------------------------|------------------------------------|

L21/31, L21/31S

| Item No. | Qty | Item Designation | Where to find in the engine instruction book | |
|-------------------|-----|--|--|----------|
| 021 ¹⁾ | 1/C | Kit per cylinder unit, complete consisting of: | | |
| | 2 | O-ring | P50501 | 172 |
| | 2 | O-ring | P50501 | 196 |
| | 2 | Circlip | P50502 | 095 |
| | 4 | Conical ring 2/2 | P50502 | 178 |
| | 1 | O-ring | P50502 | 237 |
| | 1 | O-ring | P50502 | 250 |
| | 4 | O-ring | P50502 | 536 |
| | 1 | O-ring | P50507 | 043 |
| | 2 | O-ring | P50507 | 055 |
| | 2 | O-ring | P50507 | 080 |
| | 1 | O-ring | P50507 | 092 |
| | 1 | O-ring | P50510 | 014 |
| | 1 | Sealing ring | P50610 | 031 |
| | 2 | O-ring | P50610 | 055 |
| | 1 | O-ring | P50610 | 209 |
| | 2 | O-ring | P50610 | 210 |
| | 3 | O-ring | P51229 | 027 |
| | 1 | O-ring | P51402 | 002 |
| | 1 | O-ring | P51402 | 003 |
| | 1 | O-ring | P51402 | 009 |
| | 1 | O-ring | P51404 | 010 |
| | 2 | O-ring | P51404 | 022 |
| | 2 | O-ring | P51404 | 046 |
| | 8 | Seal ring | P51630 | 033b/003 |

When ordering spare parts, see also page 500.50/600.50/Preface.

Note

¹⁾ Please note that this is a kit supply and that any exceeding number of O-rings and gaskets are not accepted as return goods.

* = Only available as part of a spare parts kit/not available separately

Qty/C = Qty/Cylinder