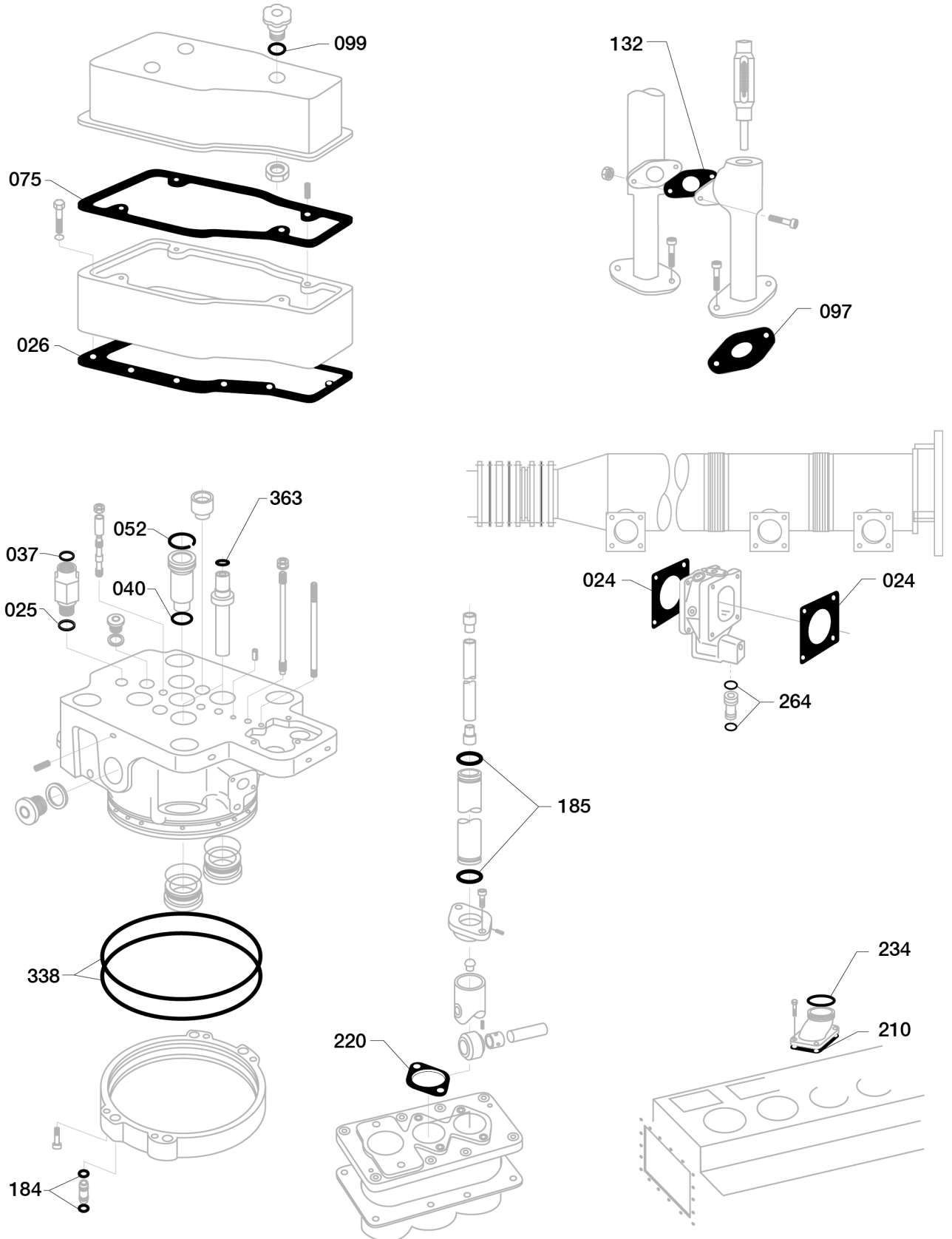


L23/30S, L23/30H



P51704-23	Kit for cylinder unit	Spare Part Kit Plate Page 2 (2)
------------------	------------------------------	------------------------------------

L23/30S, L23/30H

Item No.	Qty	Item Designation	Where to find in the engine instruction book	
021 ¹⁾	1/C	Kit per cylinder unit, complete consisting of:		
	1	O-ring	P50501	040
	1	Snap ring	P50501	052
	8	O-ring	P50501	184
	2	O-ring	P50501	338
	4	O-ring	P50501	363
	3	Gasket	P50508	025
	1	Gasket	P50508	037
	1	Gasket	P50510	026
	1	Gasket	P50510	075
	3	O-ring	P50510	099
	4	O-ring	P50801	185
	2	Gasket	P50801	220
	2	Gasket	P51202	024
	2	O-ring	P51202	264
	1	Gasket	P51203	210
	1	Sealing ring	P51203	234
	1	Packing, oval	P51625	097
	1	Packing, oval	P51625	132

When ordering spare parts, see also page 500.50/600.50/Preface.

Note

¹⁾ Please note that this is a kit supply and that any exceeding number of O-rings and gaskets are not accepted as return goods.

* = Only available as part of a spare parts kit/not available separately

Qty/C = Qty/Cylinder