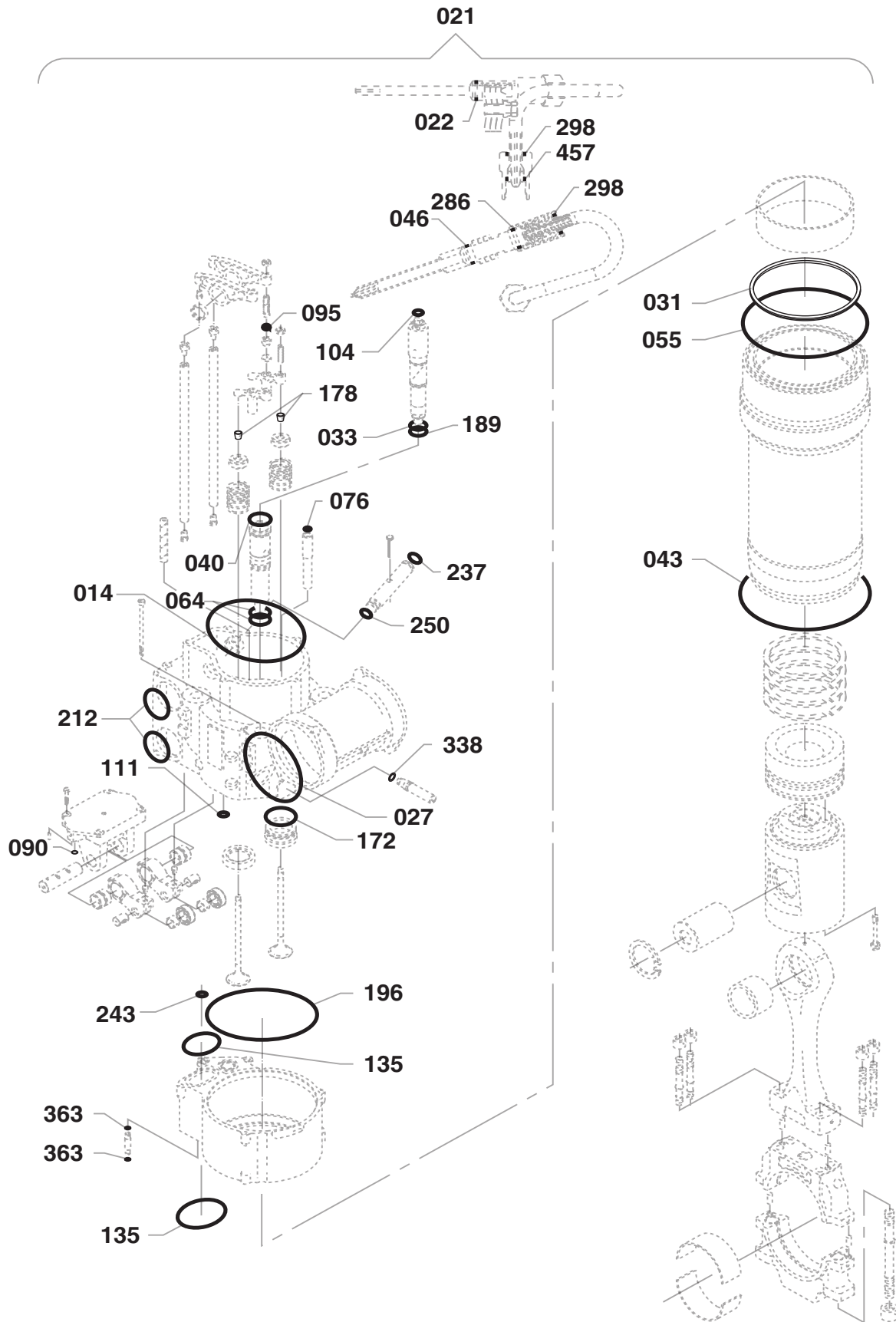


| | | |
|-------------------|------------------------------|-----------------|
| Kit Page 1 (2) | Kit for Cylinder Unit | 51704-08 |
|-------------------|------------------------------|-----------------|

L27/38



08028-0D/H5250/94.08.12

51704-08

Kit for Cylinder Unit

Kit
Page 2 (2)

L27/38

| Item no | Qty | Designation | Where to find in the engine instruction book | |
|---------|------|------------------------------------------------|----------------------------------------------|----------|
| 021 | 1/C | Kit for cylinder unit, complete consisting of: | Plate 50500 | Item 021 |
| | 1/C | O-ring | Plate 50501 | Item 040 |
| | 2/C | O-ring | Plate 50501 | Item 064 |
| | 4/C | O-ring | Plate 50501 | Item 076 |
| | 2/C | O-ring | Plate 50501 | Item 111 |
| | 2/C | O-ring | Plate 50501 | Item 135 |
| | 2/C | O-ring | Plate 50501 | Item 172 |
| | 1/C | O-ring | Plate 50501 | Item 196 |
| | 1/C | O-ring | Plate 50501 | Item 243 |
| | 1/C | Gasket | Plate 50501 | Item 338 |
| | 2/C | O-ring | Plate 50501 | Item 363 |
| | 2/C | Circlip | Plate 50502 | Item 095 |
| | 4/C | Conical ring 2/2 | Plate 50502 | Item 178 |
| | 1/C | O-ring | Plate 50502 | Item 237 |
| | 1/C | O-ring | Plate 50502 | Item 250 |
| | 1/C | O-ring | Plate 50510 | Item 014 |
| | 1/C | Sealing ring | Plate 50610 | Item 031 |
| | 1/C | O-ring | Plate 50610 | Item 043 |
| | 1/C | O-ring | Plate 50610 | Item 055 |
| | 1/C | O-ring | Plate 50801 | Item 090 |
| | 2/C | O-ring | Plate 51230 | Item 027 |
| | 1/C | O-ring | Plate 51401 | Item 457 |
| | 1/C | O-ring | Plate 51402 | Item 033 |
| | 1/C | O-ring | Plate 51402 | Item 189 |
| | 1/C | O-ring | Plate 51402 | Item 104 |
| | 1/C | O-ring | Plate 51404 | Item 022 |
| | 1/C | O-ring | Plate 51404 | Item 046 |
| | 1/C | O-ring | Plate 51404 | Item 286 |
| | 2/C | O-ring | Plate 51404 | Item 298 |
| | 12/C | Seal ring | Plate 51630 | Item 212 |

Please Note that this is a kit supply, and that any exceeding number of o-rings and gaskets are not accepted as return goods.

Qty/C = Qty/Cylinder

08028-0D/H5250/94.08.12