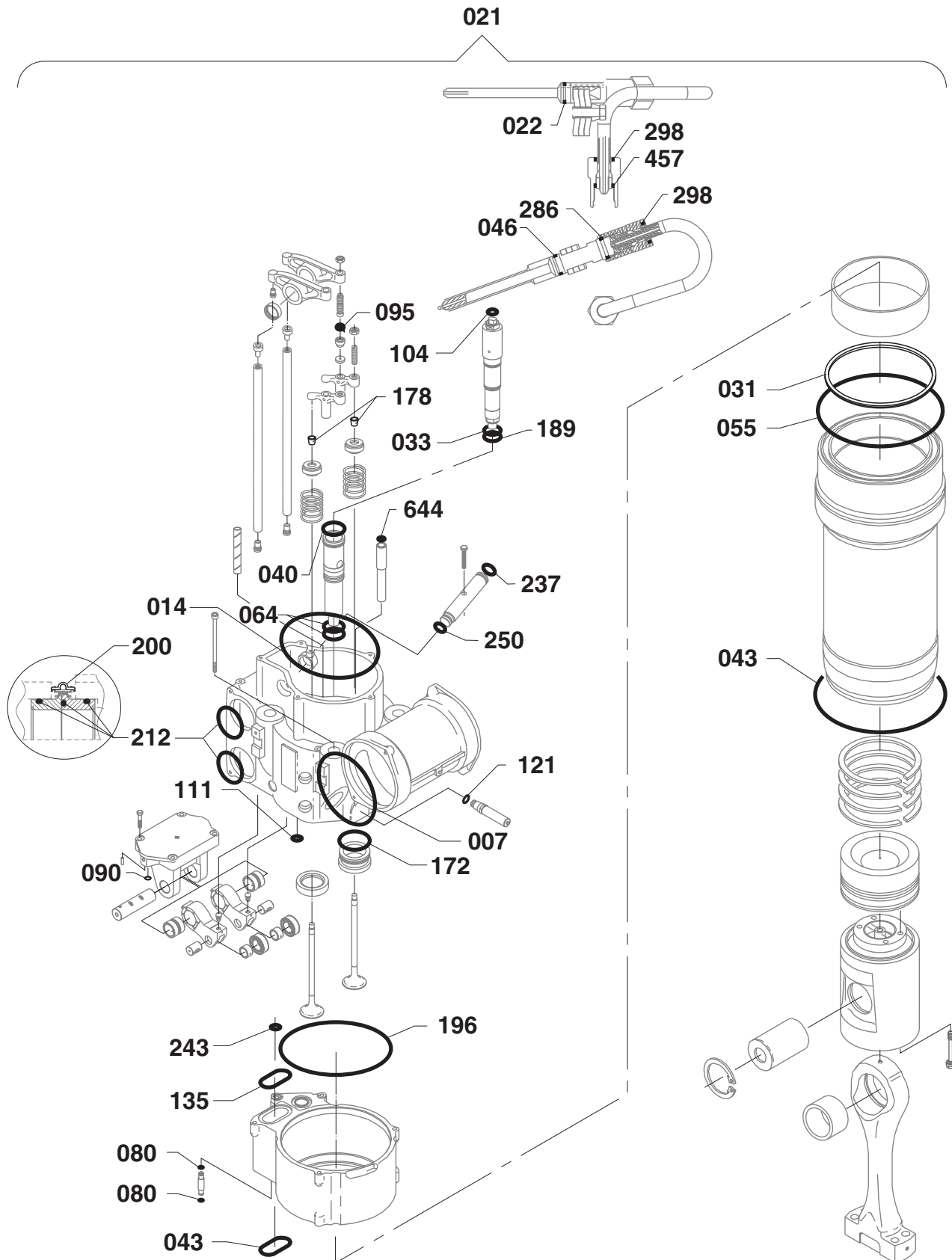


L27/38



51704-21

Kit for Cylinder Unit

Plate
Page 2 (2)

L27/38

Item no	Qty	Designation	Where to find in the engine instruction book	
021		Kit per cylinder unit, complete consisting of:		
	1	O-ring	Plate 50501	Item 040
	2	O-ring	Plate 50501	Item 064
	1	O-ring	Plate 50501	Item 111
	1	Gasket	Plate 50501	Item 135
	2	O-ring	Plate 50501	Item 172
	1	O-ring	Plate 50501	Item 196
	1	O-ring	Plate 50501	Item 243
	2	Circlip	Plate 50502	Item 095
	4	Conical ring 2/2	Plate 50502	Item 178
	1	O-ring	Plate 50502	Item 237
	1	O-ring	Plate 50502	Item 250
	4	O-ring	Plate 50502	Item 644
	1	Gasket	Plate 50507	Item 043
	2	O-ring	Plate 50507	Item 080
	1	Gasket	Plate 50508	Item 121
	1	O-ring	Plate 50510	Item 014
	1	Seal ring	Plate 50610	Item 031
	1	O-ring	Plate 50610	Item 043
	1	O-ring	Plate 50610	Item 055
	1	O-ring	Plate 50801	Item 090
	3	O-ring	Plate 51234	Item 007
	1	O-ring	Plate 51401	Item 457
	1	O-ring	Plate 51402	Item 033
	1	O-ring	Plate 51402	Item 189
	1	O-ring	Plate 51402	Item 104
	1	O-ring	Plate 51404	Item 022
	1	O-ring	Plate 51404	Item 046
	2	O-ring	Plate 51404	Item 286
	2	O-ring	Plate 51404	Item 298
	1	V-Profile clamp	Plate 51630	Item 200
	8	Seal ring	Plate 51630	Item 212

Please Note that this is a kit supply, and that any exceeding number of o-rings and gaskets are not accepted as return goods.