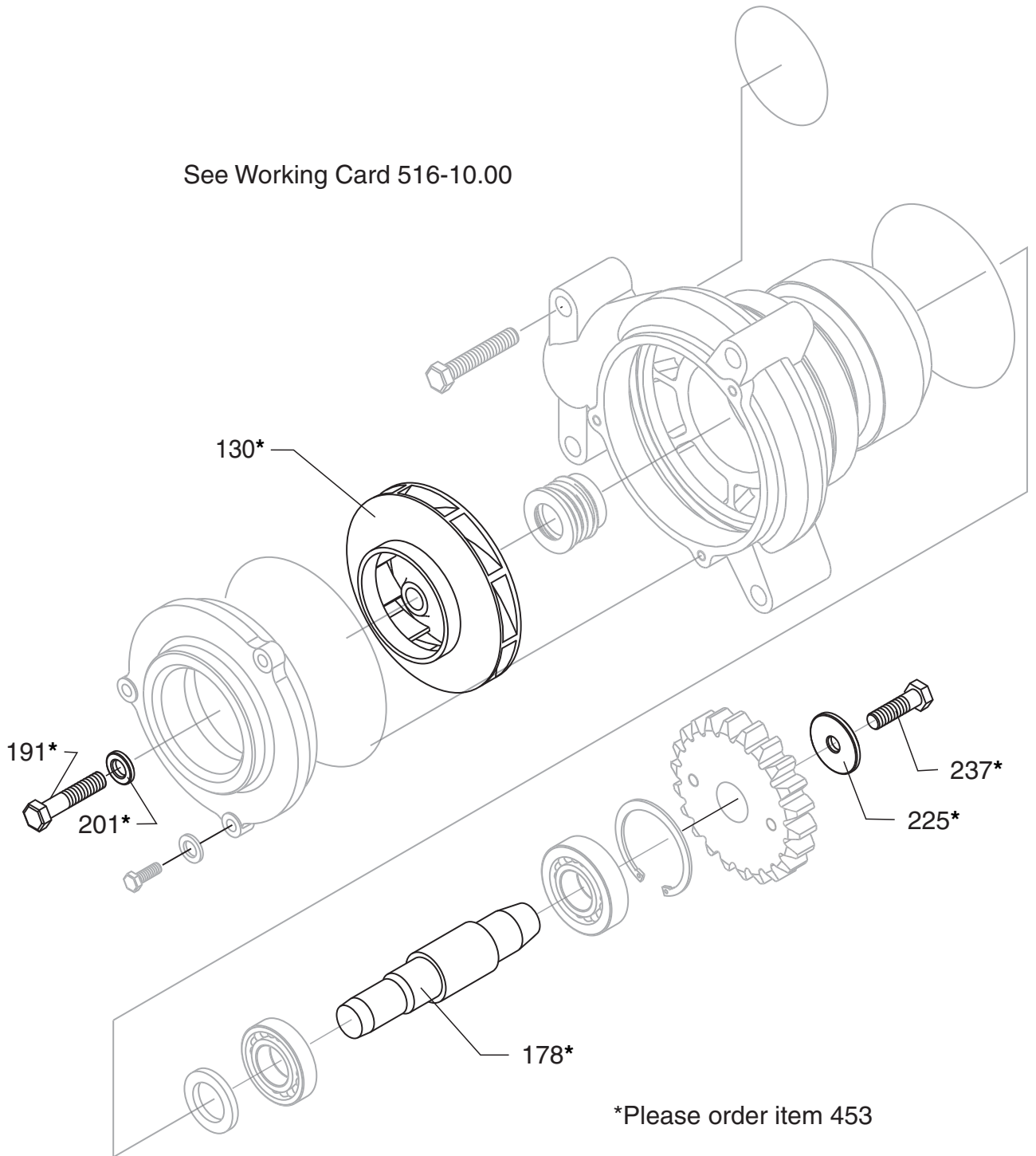


**L27/38**

See Working Card 516-10.00



\*Please order item 453

<b>51710-01</b>	<b>Kit for High- and Low Temperature Freshwater Pumps</b>	Kit Page 2 (2)
-----------------	---	-------------------

**L27/38**

Item No	Qty	Designation	Where to find in the engine instruction book	
453	1/F	Kit for upgrading, incl item 130, 178, 191, 201, 225, 237	Plate 51610	
	1/F	Shaft	Plate 51610	Item 178
	1/F	Screw	Plate 51610	Item 191
	1/F	Disc	Plate 51610	Item 201
	1/F	Washer	Plate 51610	Item 225
	1/F	Screw	Plate 51610	Item 237
<p><i>Please Note</i> that this is a kit supply, and that any exceeding number of o-rings and gaskets are not accepted as return goods.</p>				

Qty/P = Qty/Pump