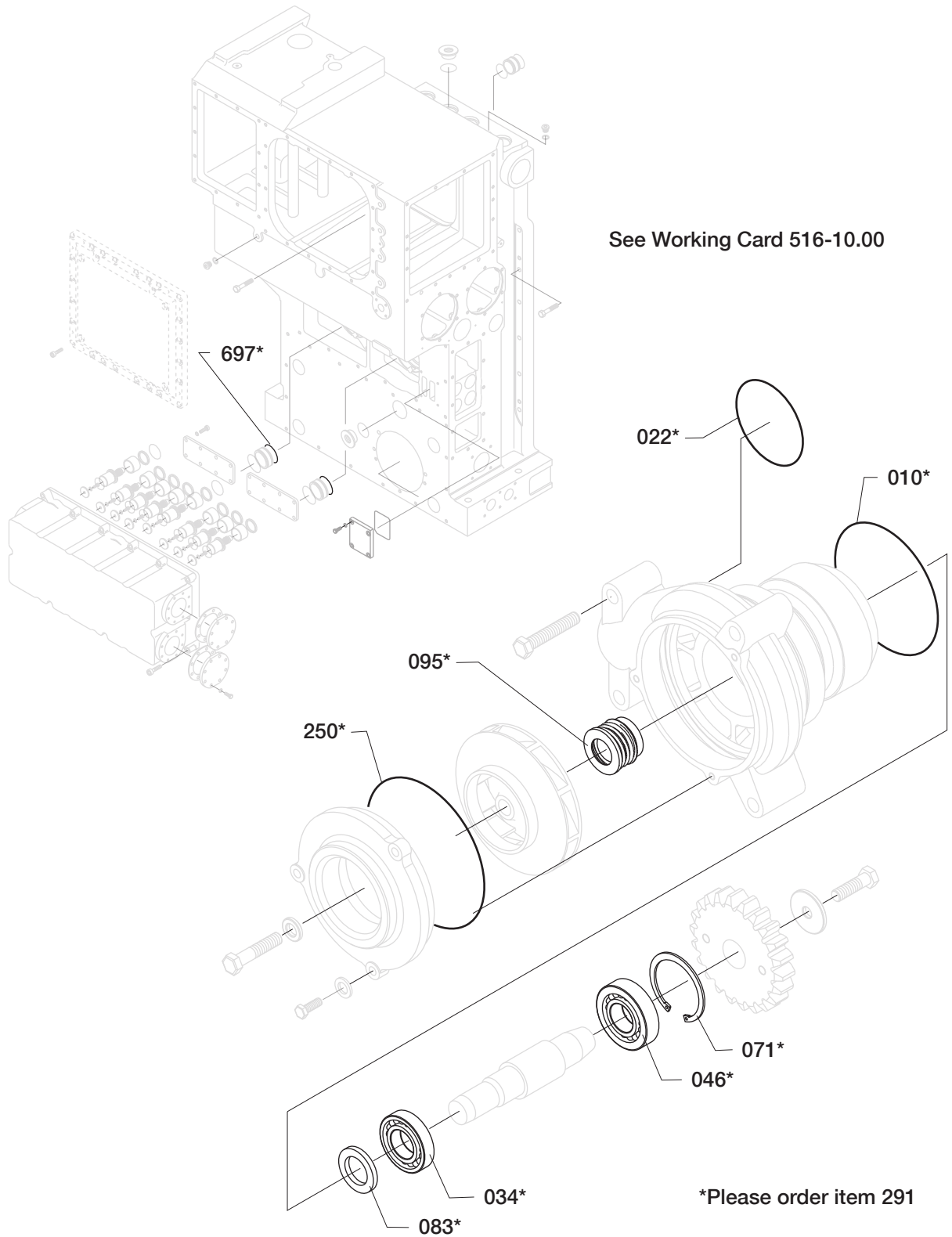


Kit Page 1 (2)	Kit for High- and Low Temperature Freshwater Pumps	51710-06
-------------------	---	-----------------

L27/38



51710-06	Kit for High- and Low Temperature Freshwater Pumps	Kit Page 2 (2)
----------	---	-------------------

L27/38

Item No	Qty	Designation	Where to find in the engine instruction book	
291		Kit per one freshwater pump, complete consisting of:		
	1	O-ring	Plate 51610	Item 010
	1	O-ring	Plate 51610	Item 022
	1	Depp groove ball bearing	Plate 51610	Item 034
	1	Ball bearing	Plate 51610	Item 046
	1	Retaining ring	Plate 51610	Item 071
	1	Shaft seal	Plate 51610	Item 083
	1	Slide ring joint	Plate 51610	Item 095
	1	O-ring	Plate 51610	Item 250
	4	O-ring	Plate 51103	Item 697
		<p>Please Note that this is a kit supply, and that any exceeding number of o-rings and gaskets are not accepted as return goods.</p>		