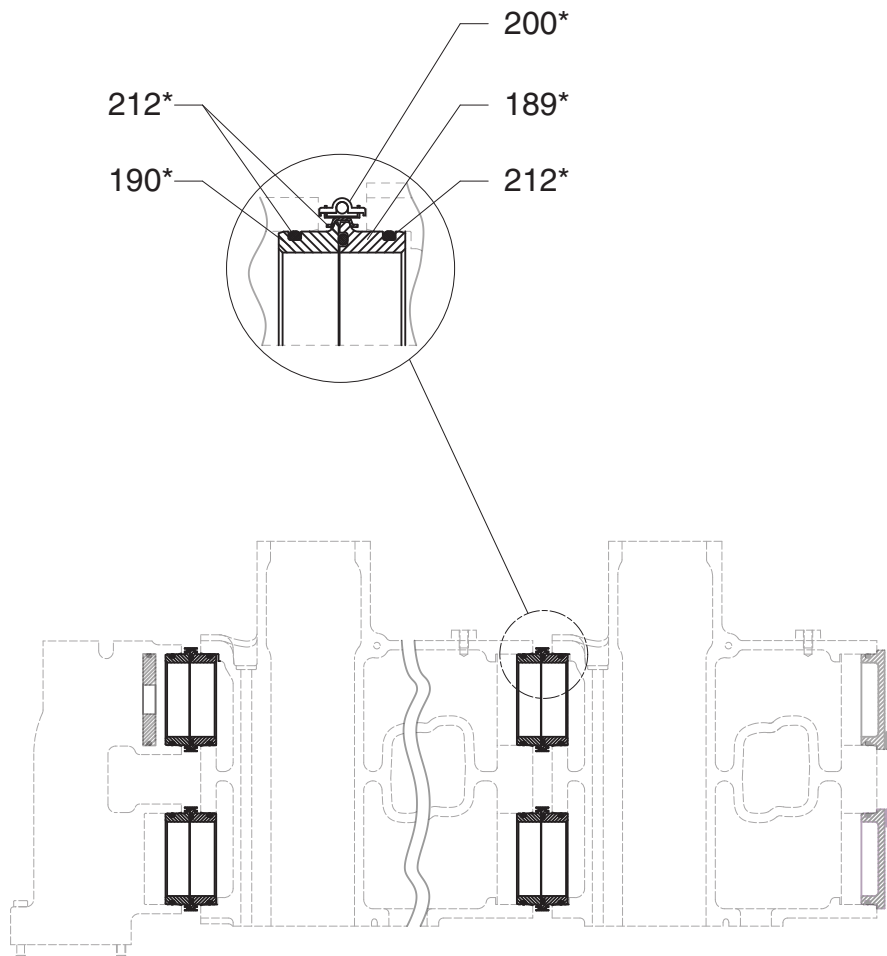


See Working Card 516-01.90



\* Please order item 008

<b>51711-01</b>	<b>Kit for Intermediate Piece – Cooling Water Connections</b>	Kit Page 2 (2)
-----------------	---	-------------------

**L27/38**

Item No	Qty	Designation	Where to find in the engine instruction book	
008	1/M	Kit for intermediate piece, incl item 189, 190, 200 and 212	Plate 51630	
	1/M	Intermediate piece	Plate 51630	Item 189
	1/M	Intermediate piece	Plate 51630	Item 190
	1/M	V-Profile clamp	Plate 51630	Item 200
	3/M	Seal ring	Plate 51630	Item 212
<p><i>Please Note</i> that this is a kit supply, and that any exceeding number of o-rings and gaskets are not accepted as return goods.</p>				

Qty/M = Qty/Mounting