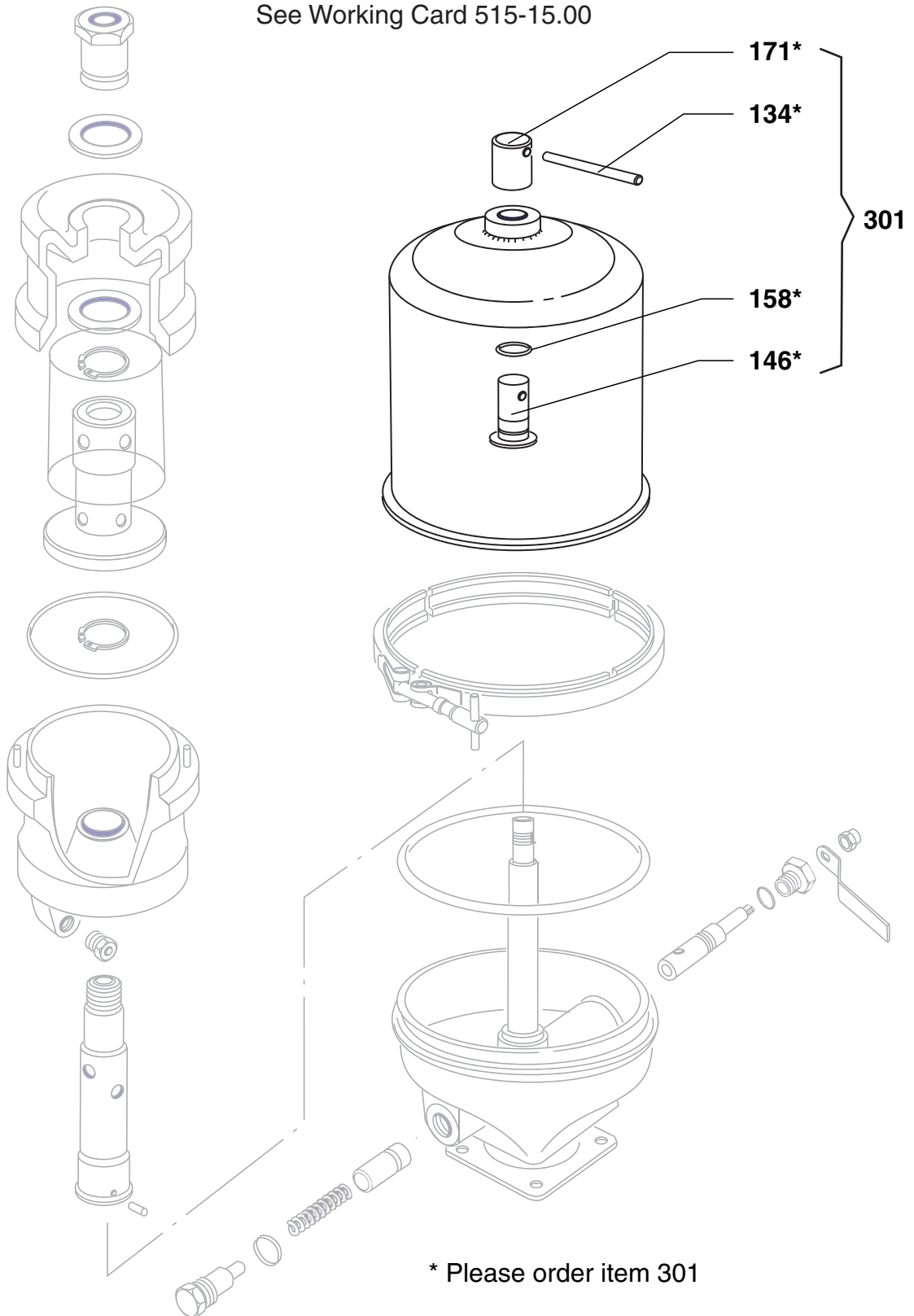


Kit Page 1 (2)	Kit for Cover Nut, Centrifugal By-pass Filter	51717-01
-------------------	--	-----------------

**L27/38
L21/31**

See Working Card 515-15.00



08028-0D/H5250/94.08.12

51717-01	Kit for Cover Nut, Centrifugal By-pass Filter	Kit Page 2 (2)
-----------------	--	-------------------

L27/38
L21/31

Item No	Qty	Designation	Where to find in the engine instruction book	
301	1/F	Cover nut fixing kit, incl item 134, 146, 158, 171	Plate 51515	
	1/F	Cover nut pin	Plate 51515	Item 134
	1/F	Cover fixing nut	Plate 51515	Item 146
	1/F	Cover nut O-ring	Plate 51515	Item 158
	1/F	Cover nut collar	Plate 51515	Item 171
<p><i>Please Note</i> that this is a kit supply, and that any exceeding number of o-rings and gaskets are not accepted as return goods.</p>				

Qty/F = Qty/Filter