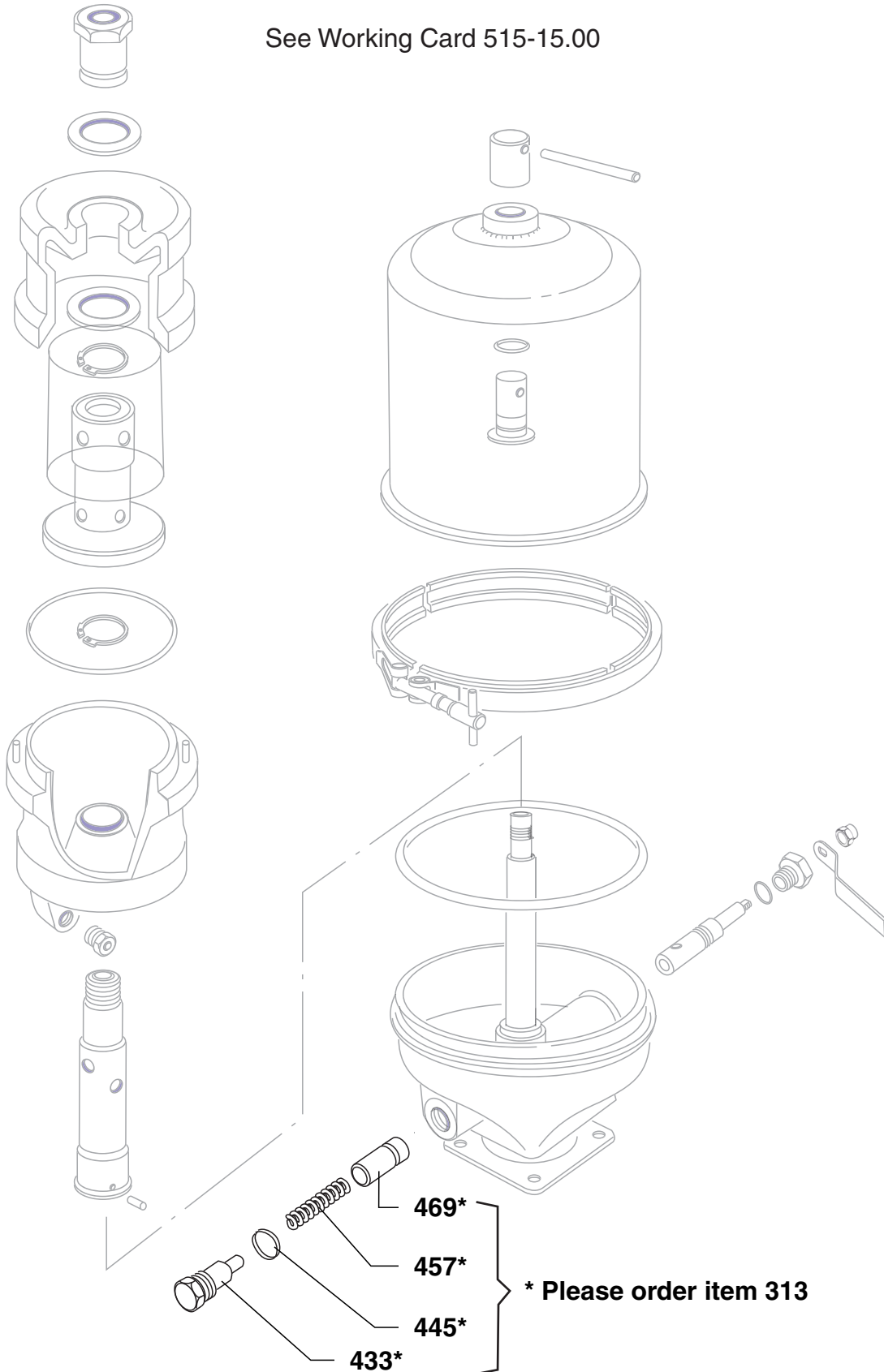


**L27/38
L21/31**

See Working Card 515-15.00



08028-0D/H5250/94.08.12

51718-01	Kit for Valve, Centrifugal By-pass Filter	Kit Page 2 (2)
----------	--	-------------------

L27/38
L21/31

Item No	Qty	Designation	Where to find in the engine instruction book	
313	1/F	Valve kit, incl item 433, 445, 457, 469	Plate 51515	
	1/F	Plug	Plate 51515	Item 433
	1/F	Washer	Plate 51515	Item 445
	1/F	Spring	Plate 51515	Item 457
	1/F	Shuttle	Plate 51515	Item 469
<p><i>Please Note</i> that this is a kit supply, and that any exceeding number of o-rings and gaskets are not accepted as return goods.</p>				

Qty/F = Qty/Filter