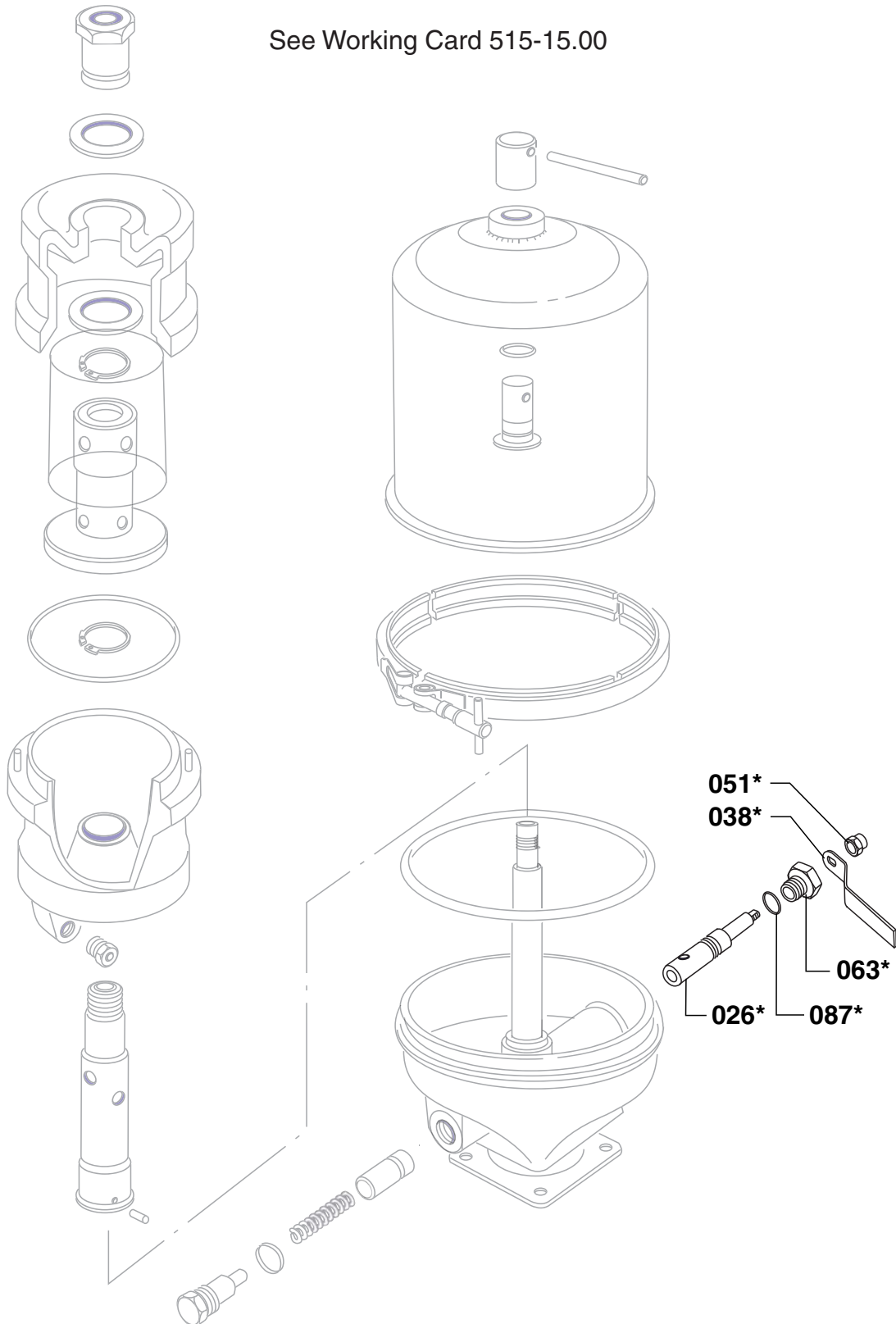


**L27/38
L21/31**

See Working Card 515-15.00



08028-0D/H5250/94.08.12

* Please order item 494

51718-03	Kit for Valve, Centrifugal By-pass Filter	Kit Page 2 (2)
-----------------	--	-------------------

L27/38
L21/31

Item No	Qty	Designation	Where to find in the engine instruction book	
494	1/F	Valve kit, incl item 026, 038, 051, 063, 087	Plate 51515	
	1/F	Valve body	Plate 51515	Item 026
	1/F	Valve handle	Plate 51515	Item 038
	1/F	Nyloc nut	Plate 51515	Item 051
	1/F	Valve asapter	Plate 51515	Item 063
	1/F	Valve seal	Plate 51515	Item 087
<p><i>Please Note</i> that this is a kit supply, and that any exceeding number of o-rings and gaskets are not accepted as return goods.</p>				

Qty/F = Qty/Filter