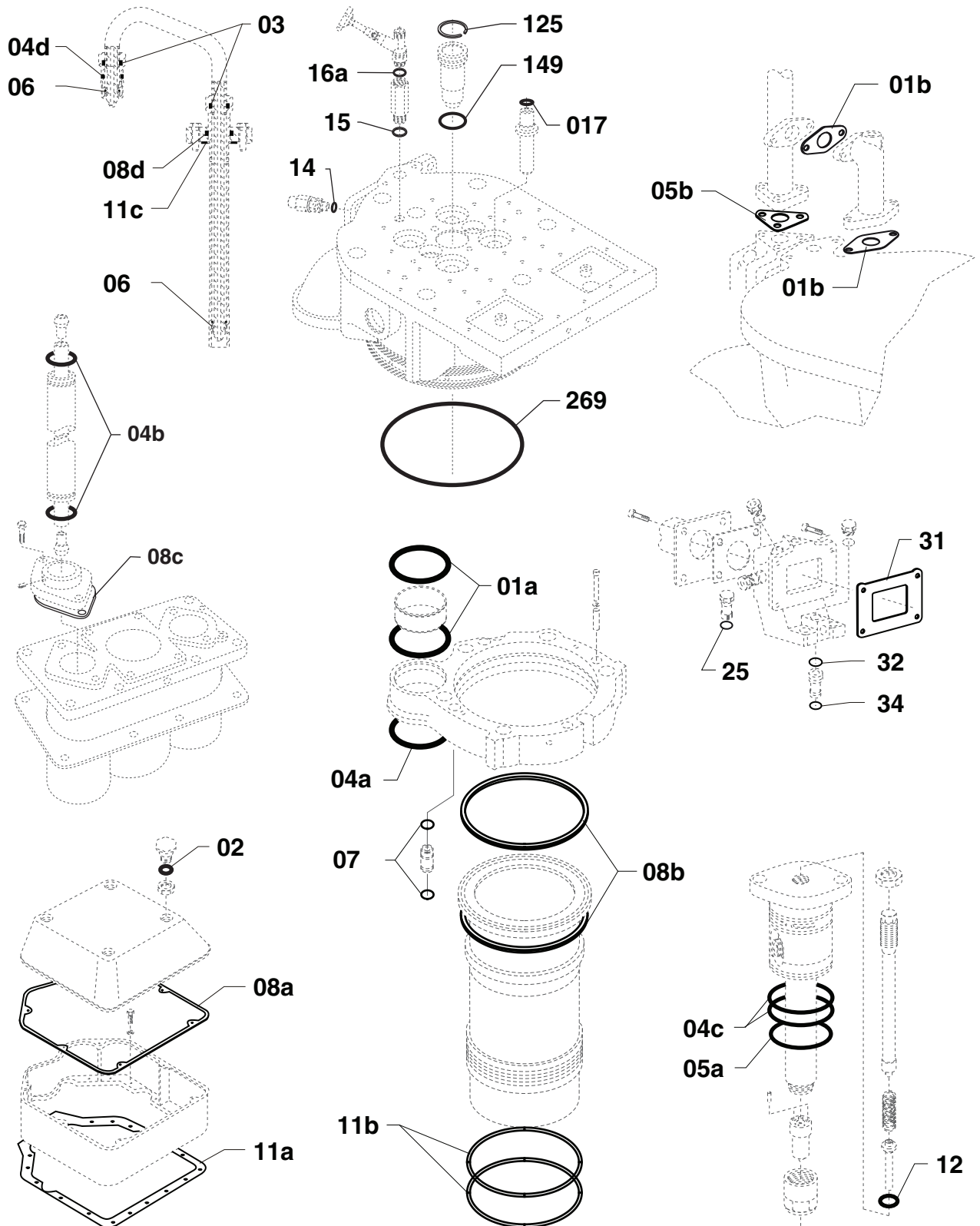


<p>Kit Page 1 (2)</p>	<p>Kit for Cylinder Unit</p>	<p>61704-01H</p>
---------------------------	------------------------------	------------------

L28/32H



61704-01H

## Kit for Cylinder Unit

Kit  
Page 2 (2)

## L28/32H

Item no	Qty	Designation	Where to find in the engine instruction book	
021		Kit per cylinder unit, consisting of:		
	4	O-ring	Plate 60501	Item 017
	1	Snap ring	Plate 60501	Item 125
	1	O-ring	Plate 60501	Item 149
	2	O-ring	Plate 60501	Item 269
	1	Gasket	Plate 60508	Item 14
	3	Gasket	Plate 60508	Item 15
	1	Gasket	Plate 60508	Item 16a
	4	O-ring	Plate 60510	Item 02
	1	Gasket	Plate 60510	Item 08a
	1	Gasket	Plate 60510	Item 11a
	2	O-ring	Plate 60610	Item 01a
	1	O-ring	Plate 60610	Item 04a
	12	O-ring	Plate 60610	Item 07
	2	Sealing ring	Plate 60610	Item 08b
	2	O-ring	Plate 60610	Item 11b
	4	Gasket	Plate 60801	Item 04b
	2	Gasket	Plate 60801	Item 08c
	2	Gasket	Plate 61202	Item 25
	1	Gasket	Plate 61202	Item 31
	1	O-ring	Plate 61202	Item 32
	1	O-ring	Plate 61202	Item 34
	2	O-ring	Plate 61402	Item 04c
	1	O-ring	Plate 61402	Item 05a
	1	O-ring	Plate 61402	Item 12
	2	O-ring	Plate 61404	Item 03
	1	O-ring	Plate 61404	Item 04d
	2	O-ring	Plate 61404	Item 06
	1	O-ring	Plate 61404	Item 08d
	1	Sealing ring	Plate 61404	Item 11c
	2	Gasket	Plate 61625	Item 01b
	1	Gasket	Plate 61625	Item 05b

*Please Note*

that this is a kit supply, and that any exceeding number of parts are not accepted as return goods.